



Is Now Part of



**ON Semiconductor®**

To learn more about ON Semiconductor, please visit our website at  
[www.onsemi.com](http://www.onsemi.com)

Please note: As part of the Fairchild Semiconductor integration, some of the Fairchild orderable part numbers will need to change in order to meet ON Semiconductor's system requirements. Since the ON Semiconductor product management systems do not have the ability to manage part nomenclature that utilizes an underscore (\_), the underscore (\_) in the Fairchild part numbers will be changed to a dash (-). This document may contain device numbers with an underscore (\_). Please check the ON Semiconductor website to verify the updated device numbers. The most current and up-to-date ordering information can be found at [www.onsemi.com](http://www.onsemi.com). Please email any questions regarding the system integration to [Fairchild\\_questions@onsemi.com](mailto:Fairchild_questions@onsemi.com).

ON Semiconductor and the ON Semiconductor logo are trademarks of Semiconductor Components Industries, LLC dba ON Semiconductor or its subsidiaries in the United States and/or other countries. ON Semiconductor owns the rights to a number of patents, trademarks, copyrights, trade secrets, and other intellectual property. A listing of ON Semiconductor's product/patent coverage may be accessed at [www.onsemi.com/site/pdf/Patent-Marking.pdf](http://www.onsemi.com/site/pdf/Patent-Marking.pdf). ON Semiconductor reserves the right to make changes without further notice to any products herein. ON Semiconductor makes no warranty, representation or guarantee regarding the suitability of its products for any particular purpose, nor does ON Semiconductor assume any liability arising out of the application or use of any product or circuit, and specifically disclaims any and all liability, including without limitation special, consequential or incidental damages. Buyer is responsible for its products and applications using ON Semiconductor products, including compliance with all laws, regulations and safety requirements or standards, regardless of any support or applications information provided by ON Semiconductor. "Typical" parameters which may be provided in ON Semiconductor data sheets and/or specifications can and do vary in different applications and actual performance may vary over time. All operating parameters, including "Typicals" must be validated for each customer application by customer's technical experts. ON Semiconductor does not convey any license under its patent rights nor the rights of others. ON Semiconductor products are not designed, intended, or authorized for use as a critical component in life support systems or any FDA Class 3 medical devices or medical devices with a same or similar classification in a foreign jurisdiction or any devices intended for implantation in the human body. Should Buyer purchase or use ON Semiconductor products for any such unintended or unauthorized application, Buyer shall indemnify and hold ON Semiconductor and its officers, employees, subsidiaries, affiliates, and distributors harmless against all claims, costs, damages, and expenses, and reasonable attorney fees arising out of, directly or indirectly, any claim of personal injury or death associated with such unintended or unauthorized use, even if such claim alleges that ON Semiconductor was negligent regarding the design or manufacture of the part. ON Semiconductor is an Equal Opportunity/Affirmative Action Employer. This literature is subject to all applicable copyright laws and is not for resale in any manner.

# FXLH1T45

## Low Voltage 1-Bit Bi-directional Level Translator with Configurable Voltage Supplies and Bushold Data Inputs

### Features

- Bi-directional interface between any 2 levels from 1.1V to 3.6V
- Fully configurable: Inputs track  $V_{CC}$  level
- Non-preferential power-up sequencing; either  $V_{CC}$  may be powered-up first
- Outputs remain in 3-STATE until active  $V_{CC}$  level is reached
- Outputs switch to 3-STATE if either  $V_{CC}$  is at GND
- Power off protection
- Bushold on data inputs eliminates the need for external pull-up/pull-down resistors
- Control input ( $T/\bar{R}$ ) levels are referenced to  $V_{CCA}$  voltage
- Packaged in the MicroPak 6 (1.0mm x 1.45mm)
- ESD protections exceeds:
  - 4kV HBM ESD (per JESD22-A114 & Mil Std 883e 3015.7)
  - 8kV HBM I/O to GND ESD (per JESD22-A114 & Mil Std 883e 3015.7)
  - 1kV CDM ESD (per ESD STM 5.3)
  - 200V MM ESD (per JESD22-A115 & ESD STM5.2)

### General Description

The FXLH1T45 is a single bit configurable dual-voltage supply translator designed for both uni-directional and bi-directional voltage translation between two logic levels. The device allows translation between voltages as high as 3.6V to as low as 1.1V. The A port tracks the  $V_{CCA}$  level, and the B port tracks the  $V_{CCB}$  level. This allows for bi-directional voltage translation over a variety of voltage levels: 1.2V, 1.5V, 1.8V, 2.5V, and 3.3V.

The device remains in 3-STATE until both  $V_{CC}$ s reach active levels allowing either  $V_{CC}$  to be powered-up first. Internal power down control circuits place the device in 3-STATE if either  $V_{CC}$  is removed.

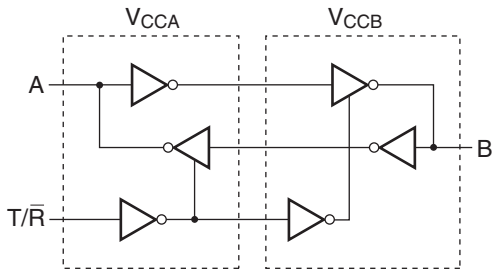
The Transmit/Receive ( $T/\bar{R}$ ) input determines the direction of data flow through the device. The FXLH1T45 is designed so that the control pin ( $T/\bar{R}$ ) is supplied by  $V_{CCA}$ .

### Ordering Information

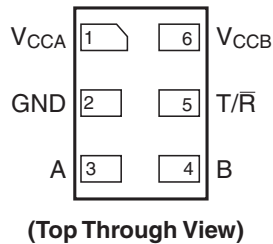
Order Number	Package Number	Pb-Free	Package Description	Supplied As
FXLH1T45L6X	MAC06A	Yes	6-Lead MicroPak, 1.0mm Wide	5k Units on Tape and Reel

MicroPak™ is a trademark of Fairchild Semiconductor Corporation.

### Functional Diagram



### Connection Diagram



### Pin Assignment

Pin Number	Terminal Name
1	V <sub>CCA</sub>
2	GND
3	A
4	B
5	T/ $\bar{R}$
6	V <sub>CCB</sub>

### Pin Descriptions

Pin Names	Description
T/ $\bar{R}$	Transmit/Receive Input
A	Side A Input or Output
B	Side B Input or Output
V <sub>CCA</sub>	Side A Power Supply
V <sub>CCB</sub>	Side B Power Supply

### Function Table

Inputs (T/ $\bar{R}$ )	Outputs
L	Bus B Data to Bus A
H	Bus A Data to Bus B

H = HIGH Logic Level  
L = LOW Logic Level

### Power-Up/Power-Down Sequencing

FXL translators offer an advantage in that either V<sub>CC</sub> may be powered up first. This benefit derives from the chip design. When either V<sub>CC</sub> is at 0V, outputs are in a HIGH-Impedance state. To ensure that bus contention, excessive currents, or oscillations do not occur, a proper power-up sequence is recommended.

The recommended power-up sequence is the following:

1. Apply power to either V<sub>CC</sub>.
2. Apply power to the T/ $\bar{R}$  input (Logic HIGH for A-to-B operation; Logic LOW for B-to-A operation) and to the respective data inputs (A Port or B Port). This may occur at the same time as Step 1.

3. Apply power to other V<sub>CC</sub>.

The recommended power-down sequence is the following:

1. Remove power from either V<sub>CC</sub>.
2. Remove power from other V<sub>CC</sub>.

## Absolute Maximum Ratings

Stresses exceeding the absolute maximum ratings may damage the device. The device may not function or be operable above the recommended operating conditions and stressing the parts to these levels is not recommended. In addition, extended exposure to stresses above the recommended operating conditions may affect device reliability. The absolute maximum ratings are stress ratings only.

Symbol	Parameter	Rating
$V_{CCA}, V_{CCB}$	Supply Voltage	-0.5V to +4.6V
$V_I$	DC Input Voltage I/O Port A I/O Port B Control Input (T/ $\bar{R}$ )	-0.5V to +4.6V -0.5V to +4.6V -0.5V to +4.6V
$V_O$	Output Voltage <sup>(1)</sup> Outputs 3-STATE Outputs Active ( $A_n$ ) Outputs Active ( $B_n$ )	-0.5V to +4.6V -0.5V to $V_{CCA} + 0.5V$ -0.5V to $V_{CCB} + 0.5V$
$I_{IK}$	DC Input Diode Current @ $V_I < 0V$	-50mA
$I_{OK}$	DC Output Diode Current @ $V_O < 0V$ $V_O > V_{CC}$	-50mA +50mA
$I_{OH}/I_{OL}$	DC Output Source/Sink Current	-50mA / +50mA
$I_{CC}$	DC $V_{CC}$ or Ground Current per Supply Pin	$\pm 100mA$
$T_{STG}$	Storage Temperature Range	-65°C to +150°C

## Recommended Operating Conditions<sup>(2)</sup>

The Recommended Operating Conditions table defines the conditions for actual device operation. Recommended operating conditions are specified to ensure optimal performance to the datasheet specifications. Fairchild does not recommend exceeding them or designing to absolute maximum ratings.

Symbol	Parameter	Rating
$V_{CCA}$ or $V_{CCB}$	Power Supply Operating	1.1V to 3.6V
	Input Voltage Port A Port B Control Input (T/ $\bar{R}$ )	0.0V to 3.6V 0.0V to 3.6V 0.0V to $V_{CCA}$
	Output Current in $I_{OH}/I_{OL}$ with $V_{CC}$ @ 3.0V to 3.6V 2.3V to 2.7V 1.65V to 1.95V 1.4V to 1.65V 1.1V to 1.4V	$\pm 24mA$ $\pm 18mA$ $\pm 6mA$ $\pm 2mA$ $\pm 0.5mA$
$T_A$	Free Air Operating Temperature	-40°C to +85°C
$\Delta t/\Delta V$	Maximum Input Edge Rate $V_{CCA/B} = 1.1V$ to 3.6V	10ns/V

### Notes:

- $I_O$  Absolute Maximum Rating must be observed.
- All unused inputs and I/O pins must be held at  $V_{CCI}$  or GND.

### DC Electrical Characteristics

Symbol	Parameter	Conditions	V <sub>CCI</sub> (V)	V <sub>CC0</sub> (V)	Min.	Typ.	Max.	Units
V <sub>IH</sub>	High Level Input Voltage <sup>(3)</sup>	Data Inputs A <sub>n</sub> , B <sub>n</sub>	2.7–3.6	1.1–3.6	2.0	–	–	V
			2.3–2.7		1.6	–	–	
			1.65–2.3		0.65 x V <sub>CCI</sub>	–	–	
			1.4–1.65		0.65 x V <sub>CCI</sub>	–	–	
			1.1–1.4		0.9 x V <sub>CCI</sub>	–	–	
		Control Pin T/R (Referenced to V <sub>CCA</sub> )	2.7–3.6	1.1–3.6	2.0	–	–	
			2.3–2.7		1.6	–	–	
			1.65–2.3		0.65 x V <sub>CCA</sub>	–	–	
			1.4–1.65		0.65 x V <sub>CCA</sub>	–	–	
			1.1–1.4		0.9 x V <sub>CCA</sub>	–	–	
V <sub>IL</sub>	Low Level Input Voltage <sup>(3)</sup>	Data Inputs A <sub>n</sub> , B <sub>n</sub>	2.7–3.6	1.1–3.6	–	–	0.8	V
			2.3–2.7		–	–	0.7	
			1.65–2.3		–	–	0.35 x V <sub>CCI</sub>	
			1.4–1.65		–	–	0.35 x V <sub>CCI</sub>	
			1.1–1.4		–	–	0.1 x V <sub>CCI</sub>	
		Control Pin T/R (Referenced to V <sub>CCA</sub> )	2.7–3.6	1.1–3.6	–	–	0.8	
			2.3–2.7		–	–	0.7	
			1.65–2.3		–	–	0.35 x V <sub>CCA</sub>	
			1.4–1.65		–	–	0.35 x V <sub>CCA</sub>	
			1.1–1.4		–	–	0.1 x V <sub>CCA</sub>	
V <sub>OH</sub>	High Level Output Voltage <sup>(4)</sup>	I <sub>OH</sub> = –100μA	1.1–3.6	1.1–3.6	V <sub>CC0</sub> –0.2	–	–	V
		I <sub>OH</sub> = –12mA	2.7	2.7	2.2	–	–	
		I <sub>OH</sub> = –18mA	3.0	3.0	2.4	–	–	
		I <sub>OH</sub> = –24mA	3.0	3.0	2.2	–	–	
		I <sub>OH</sub> = –6mA	2.3	2.3	2.0	–	–	
		I <sub>OH</sub> = –12mA	2.3	2.3	1.8	–	–	
		I <sub>OH</sub> = –18mA	2.3	2.3	1.7	–	–	
		I <sub>OH</sub> = –6mA	1.65	1.65	1.25	–	–	
		I <sub>OH</sub> = –2mA	1.4	1.4	1.05	–	–	
		I <sub>OH</sub> = –0.5mA	1.1	1.1	0.75 x V <sub>CC0</sub>	–	–	
V <sub>OL</sub>	Low Level Output Voltage <sup>(4)</sup>	I <sub>OL</sub> = 100μA	1.1–3.6	1.1–3.6	–	–	0.2	V
		I <sub>OL</sub> = 12mA	2.7	2.7	–	–	0.4	
		I <sub>OL</sub> = 18mA	3.0	3.0	–	–	0.4	
		I <sub>OL</sub> = 24mA	3.0	3.0	–	–	0.55	
		I <sub>OL</sub> = 12mA	2.3	2.3	–	–	0.4	
		I <sub>OL</sub> = 18mA	2.3	2.3	–	–	0.6	
		I <sub>OL</sub> = 6mA	1.65	1.65	–	–	0.3	
		I <sub>OL</sub> = 2mA	1.4	1.4	–	–	0.35	
		I <sub>OL</sub> = 0.5mA	1.1	1.1	–	–	0.3 x V <sub>CC0</sub>	
I <sub>I</sub>	Input Leakage Current Control Pins	V <sub>I</sub> = V <sub>CCA</sub> or GND	1.1–3.6	3.6	–	–	±1.0	μA

### DC Electrical Characteristics (Continued)

Symbol	Parameter	Conditions	V <sub>CCI</sub> (V)	V <sub>CCO</sub> (V)	Min.	Typ.	Max.	Units
I <sub>I(HOLD)</sub>	Bushold Input Minimum Drive Current	V <sub>IN</sub> = 0.8	3.0	3.0	75.0	–	–	μA
		V <sub>IN</sub> = 2.0	3.0	3.0	-75.0	–	–	
		V <sub>IN</sub> = 0.7	2.3	2.3	45.0	–	–	
		V <sub>IN</sub> = 1.6	2.3	2.3	-45.0	–	–	
		V <sub>IN</sub> = 0.57	1.65	1.65	25.0	–	–	
		V <sub>IN</sub> = 1.07	1.65	1.65	-25.0	–	–	
		V <sub>IN</sub> = 0.49	1.4	1.4	11.0	–	–	
		V <sub>IN</sub> = 0.91	1.4	1.4	-11.0	–	–	
		V <sub>IN</sub> = 0.11	1.1	1.1	–	4.0	–	
		V <sub>IN</sub> = 0.99	1.1	1.1	–	-4.0	–	
I <sub>I(OD)</sub>	Bushold Input Over-Drive Current-to-Change State	(5)	3.6	3.6	450	–	–	μA
		(6)	3.6	3.6	-450	–	–	
		(5)	2.7	2.7	300	–	–	
		(6)	2.7	2.7	-300	–	–	
		(5)	1.95	1.95	200	–	–	
		(6)	1.95	1.95	-200	–	–	
		(5)	1.6	1.6	120	–	–	
		(6)	1.6	1.6	-120	–	–	
		(5)	1.4	1.4	80.0	–	–	
		(6)	1.4	1.4	-80.0	–	–	
I <sub>OFF</sub>	Power Off Leakage Current	A <sub>n</sub> , V <sub>CCA</sub> = V <sub>CCI</sub> , V <sub>I</sub> = 0V to 3.6V	0	3.6	–	–	±10.0	μA
		B <sub>n</sub> , V <sub>CCB</sub> = V <sub>CCI</sub> , V <sub>I</sub> = 0V to 3.6V	0	3.6	–	–	±10.0	
I <sub>OZ</sub>	3-STATE Output Leakage	A <sub>n</sub> , V <sub>CCA</sub> = V <sub>CCO</sub> , V <sub>O</sub> = 0V or 3.6V	0	3.6	–	–	±10.0	μA
		B <sub>n</sub> , V <sub>CCB</sub> = V <sub>CCO</sub> , V <sub>O</sub> = 0V or 3.6V	0	3.6	–	–	±10.0	
I <sub>CCA/B</sub>	Quiescent Supply Current <sup>(7)</sup>	V <sub>I</sub> = V <sub>CCI</sub> or GND; I <sub>O</sub> = 0	1.1–3.6	1.1–3.6	–	–	20.0	μA
I <sub>CCA</sub>	Quiescent Supply Current	V <sub>I</sub> = V <sub>CCA</sub> or GND; I <sub>O</sub> = 0	0	1.1–3.6	–	–	-10.0	μA
		V <sub>I</sub> = V <sub>CCA</sub> or GND; I <sub>O</sub> = 0	1.1–3.6	0	–	–	10.0	μA
I <sub>CCB</sub>	Quiescent Supply Current	V <sub>I</sub> = V <sub>CCB</sub> or GND; I <sub>O</sub> = 0	1.1–3.6	0	–	–	-10.0	μA
		V <sub>I</sub> = V <sub>CCB</sub> or GND; I <sub>O</sub> = 0	0	1.1–3.6	–	–	10.0	μA
ΔI <sub>CCA/B</sub>	Increase in I <sub>CC</sub> per Input; Other Inputs at V <sub>CC</sub> or GND	V <sub>IH</sub> = 3.0	3.6	3.6	–	–	500	μA

**Notes:**

3. V<sub>CCI</sub> = the V<sub>CC</sub> associated with the data input under test.
4. V<sub>CCO</sub> = the V<sub>CC</sub> associated with the output under test.
5. An external driver must source at least the specified current to switch LOW-to-HIGH.
6. An external driver must source at least the specified current to switch HIGH-to-LOW.
7. Reflects current per supply, V<sub>CCA</sub> or V<sub>CCB</sub>.

## AC Electrical Characteristics

$V_{CCA} = 3.0V$  to  $3.6V$

Symbol	Parameter	$T_A = -40^{\circ}C$ to $+85^{\circ}C$										Units
		$V_{CCB} = 3.0V$ to $3.6V$		$V_{CCB} = 2.3V$ to $2.7V$		$V_{CCB} = 1.65V$ to $1.95V$		$V_{CCB} = 1.4V$ to $1.6V$		$V_{CCB} = 1.1V$ to $1.3V$		
		Min.	Max.	Min.	Max.	Min.	Max.	Min.	Max.	Min.	Max.	
$t_{PLH}, t_{PHL}$	Propagation Delay A to B	0.2	3.5	0.3	3.9	0.5	5.4	0.6	6.8	1.4	22.0	ns
	Propagation Delay B to A	0.2	3.5	0.2	3.8	0.3	4.0	0.5	4.3	0.8	13.0	
$t_{PZH}, t_{PZL}^{(8)}$	Output Enable $T/\bar{R}$ to B	0.4	7.2	0.5	7.6	0.7	9.1	0.8	10.5	1.6	25.7	ns
	Output Enable $T/\bar{R}$ to A	0.4	7.3	0.4	7.8	1.0	8.8	2.0	10.5	2.8	30.0	
$t_{PHZ}, t_{PLZ}$	Output Disable $T/\bar{R}$ to B	0.2	3.8	0.2	4.0	0.7	4.8	1.5	6.2	2.0	17.0	ns
	Output Disable $T/\bar{R}$ to A	0.2	3.7	0.2	3.7	0.2	3.7	0.2	3.7	0.2	3.7	

$V_{CCA} = 2.3V$  to  $2.7V$

Symbol	Parameter	$T_A = -40^{\circ}C$ to $+85^{\circ}C$										Units
		$V_{CCB} = 3.0V$ to $3.6V$		$V_{CCB} = 2.3V$ to $2.7V$		$V_{CCB} = 1.65V$ to $1.95V$		$V_{CCB} = 1.4V$ to $1.6V$		$V_{CCB} = 1.1V$ to $1.3V$		
		Min.	Max.	Min.	Max.	Min.	Max.	Min.	Max.	Min.	Max.	
$t_{PLH}, t_{PHL}$	Propagation Delay A to B	0.2	3.8	0.4	4.2	0.5	5.6	0.8	6.9	1.4	22.0	ns
	Propagation Delay B to A	0.3	3.9	0.4	4.2	0.5	4.5	0.5	4.8	1.0	7.0	
$t_{PZH}, t_{PZL}^{(8)}$	Output Enable $T/\bar{R}$ to B	0.4	7.8	0.6	8.2	0.7	9.6	1.0	10.9	1.6	26.0	ns
	Output Enable $T/\bar{R}$ to A	0.5	8.0	0.6	8.5	1.2	9.3	2.0	11.5	3.0	24.0	
$t_{PHZ}, t_{PLZ}$	Output Disable $T/\bar{R}$ to B	0.2	4.1	0.2	4.3	0.7	4.8	1.5	6.7	2.0	17.0	ns
	Output Disable $T/\bar{R}$ to A	0.2	4.0	0.2	4.0	0.2	4.0	0.2	4.0	0.2	4.0	

$V_{CCA} = 1.65V$  to  $1.95V$

Symbol	Parameter	$T_A = -40^{\circ}C$ to $+85^{\circ}C$										Units
		$V_{CCB} = 3.0V$ to $3.6V$		$V_{CCB} = 2.3V$ to $2.7V$		$V_{CCB} = 1.65V$ to $1.95V$		$V_{CCB} = 1.4V$ to $1.6V$		$V_{CCB} = 1.1V$ to $1.3V$		
		Min.	Max.	Min.	Max.	Min.	Max.	Min.	Max.	Min.	Max.	
$t_{PLH}, t_{PHL}$	Propagation Delay A to B	0.3	4.0	0.5	4.5	0.8	5.7	0.9	7.1	1.5	22.0	ns
	Propagation Delay B to A	0.5	5.4	0.5	5.6	0.8	5.7	1.0	6.0	1.2	8.0	
$t_{PZH}, t_{PZL}^{(8)}$	Output Enable $T/\bar{R}$ to B	0.8	9.0	1.0	9.5	1.3	10.7	1.4	12.1	2.0	27.0	ns
	Output Enable $T/\bar{R}$ to A	0.7	10.5	0.7	10.8	1.6	10.9	2.5	13.0	3.2	25.0	
$t_{PHZ}, t_{PLZ}$	Output Disable $T/\bar{R}$ to B	0.2	5.1	0.2	5.2	0.8	5.2	1.5	7.0	2.0	17.0	ns
	Output Disable $T/\bar{R}$ to A	0.5	5.0	0.5	5.0	0.5	5.0	0.5	5.0	0.5	5.0	

**AC Electrical Characteristics** (Continued)

 $V_{CCA} = 1.4V \text{ to } 1.6V$ 

Symbol	Parameter	$T_A = -40^\circ\text{C to } +85^\circ\text{C}$										Units
		$V_{CCB} = 3.0V \text{ to } 3.6V$		$V_{CCB} = 2.3V \text{ to } 2.7V$		$V_{CCB} = 1.65V \text{ to } 1.95V$		$V_{CCB} = 1.4V \text{ to } 1.6V$		$V_{CCB} = 1.1V \text{ to } 1.3V$		
		Min.	Max.	Min.	Max.	Min.	Max.	Min.	Max.	Min.	Max.	
$t_{PLH}, t_{PHL}$	Propagation Delay A to B	0.5	4.3	0.5	4.8	1.0	6.0	1.0	7.3	1.5	22.0	ns
	Propagation Delay B to A	0.6	6.8	0.8	6.9	0.9	7.1	1.0	7.3	1.3	9.5	
$t_{PZH}, t_{PZL}^{(8)}$	Output Enable $T/\bar{R}$ to B	1.5	10.3	1.5	10.8	2.0	12.0	2.0	13.3	2.5	28.0	ns
	Output Enable $T/\bar{R}$ to A	1.0	12.9	1.2	13.1	1.8	13.3	2.5	14.8	3.3	27.5	
$t_{PHZ}, t_{PLZ}$	Output Disable $T/\bar{R}$ to B	0.4	6.1	0.4	6.2	0.9	6.2	1.5	7.5	2.0	18.0	ns
	Output Disable $T/\bar{R}$ to A	1.0	6.0	1.0	6.0	1.0	6.0	1.0	6.0	1.0	6.0	

 $V_{CCA} = 1.1V \text{ to } 1.3V$ 

Symbol	Parameter	$T_A = -40^\circ\text{C to } +85^\circ\text{C}$										Units
		$V_{CCB} = 3.0V \text{ to } 3.6V$		$V_{CCB} = 2.3V \text{ to } 2.7V$		$V_{CCB} = 1.65V \text{ to } 1.95V$		$V_{CCB} = 1.4V \text{ to } 1.6V$		$V_{CCB} = 1.1V \text{ to } 1.3V$		
		Min.	Max.	Min.	Max.	Min.	Max.	Min.	Max.	Min.	Max.	
$t_{PLH}, t_{PHL}$	Propagation Delay A to B	0.8	13.0	1.0	7.0	1.2	8.0	1.3	9.5	2.0	24.0	ns
	Propagation Delay B to A	1.4	22.0	1.4	22.0	1.5	22.0	1.5	22.0	2.0	24.0	
$t_{PZH}, t_{PZL}^{(8)}$	Output Enable $T/\bar{R}$ to B	2.8	28.0	3.0	19.0	3.2	20.0	3.3	21.5	4.0	36.0	ns
	Output Enable $T/\bar{R}$ to A	2.4	37.0	2.1	29.0	2.5	30.0	3.5	32.0	4.0	44.0	
$t_{PHZ}, t_{PLZ}$	Output Disable $T/\bar{R}$ to B	1.0	15.0	0.7	7.0	1.0	8.0	2.0	10.0	2.0	20.0	ns
	Output Disable $T/\bar{R}$ to A	2.0	15.0	2.0	12.0	2.0	12.0	2.0	12.0	2.0	12.0	

**Note:**

8. The enable time,  $t_{PZH}$  or  $t_{PZL}$ , is the time for the FXLH1T45 to return to active operation after a direction change. The enable time specifies the worst-case delay from the time the  $T/\bar{R}$  pin is switched until a valid output signal is expected. For example, to change direction to B-to-A operation, the  $T/\bar{R}$  pin is switched from HIGH-to-LOW. The enable time for this case is found by adding the disable time for  $T/\bar{R}$  to B to the propagation delay for B to A. The formulas for calculating enable times are the following:

$$t_{PZH} (T/\bar{R} \text{ to A}) = t_{PLZ} (T/\bar{R} \text{ to B}) + t_{PLH} (B \text{ to A})$$

$$t_{PZL} (T/\bar{R} \text{ to A}) = t_{PHZ} (T/\bar{R} \text{ to B}) + t_{PHL} (B \text{ to A})$$

$$t_{PZH} (T/\bar{R} \text{ to B}) = t_{PLZ} (T/\bar{R} \text{ to A}) + t_{PLH} (A \text{ to B})$$

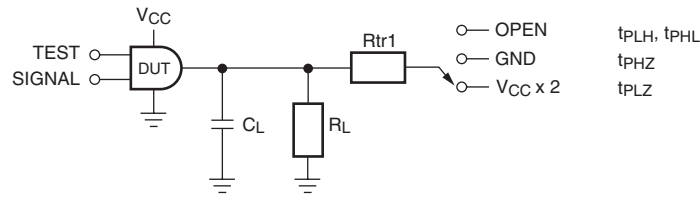
$$t_{PZL} (T/\bar{R} \text{ to B}) = t_{PHZ} (T/\bar{R} \text{ to A}) + t_{PHL} (A \text{ to B})$$

**Capacitance**

Symbol	Parameter	Conditions	$T_A = +25^\circ\text{C}$	Units
			Typical	
$C_{IN}$	Input Capacitance Control Pin ( $T/\bar{R}$ )	$V_{CCA} = V_{CCB} = 3.3V, V_I = 0V$ or $V_{CCA/B}$	4.0	pF
$C_{I/O}$	Input/Output Capacitance $A_n, B_n$ Ports	$V_{CCA} = V_{CCB} = 3.3V, V_I = 0V$ or $V_{CCA/B}$	5.0	pF
$C_{PD}$	Power Dissipation Capacitance	$V_{CCA} = V_{CCB} = 3.3V, V_I = 0V$ or $V_{CC}$ , $F = 10\text{MHz}$	20.0	pF



## AC Loading and Waveforms

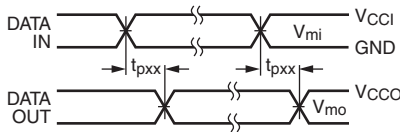


Test	Switch
$t_{PLH}$ , $t_{PHL}$	OPEN
$t_{PLZ}$	$V_{CCO} \times 2$ at $V_{CCO} = 3.3 \pm 0.3V, 2.5V \pm 0.2V, 1.8V \pm 0.15V, 1.5V \pm 0.1V, 1.2V \pm 0.1V$
$t_{PHZ}$	GND

Figure 1. AC Test Circuit

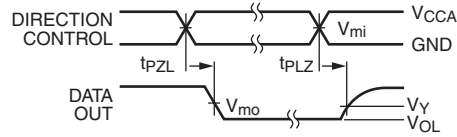
### AC Load Table

$V_{CCO}$	$C_L$	$R_L$	$R_{tr1}$
$1.2V \pm 0.1V$	15pF	2k $\Omega$	2k $\Omega$
$1.5V \pm 0.1V$	15pF	2k $\Omega$	2k $\Omega$
$1.8V \pm 0.15V$	15pF	2k $\Omega$	2k $\Omega$
$2.5V \pm 0.2V$	15pF	2k $\Omega$	2k $\Omega$
$3.3V \pm 0.3V$	15pF	2k $\Omega$	2k $\Omega$



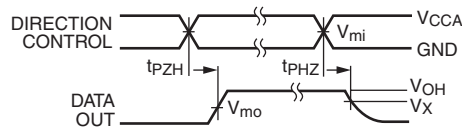
Input  $t_R = t_F = 2.0$  ns, 10% to 90%  
 Input  $t_R = t_F = 2.5$  ns, 10% to 90%, @  $V_I = 3.0V$  to  $3.6V$  only

Figure 2. Waveform for Inverting and Non-Inverting Functions



Input  $t_R = t_F = 2.0$  ns, 10% to 90%  
 Input  $t_R = t_F = 2.5$  ns, 10% to 90%, @  $V_I = 3.0V$  to  $3.6V$  only

Figure 3. 3-STATE Output Low Enable and Disable Times for Low Voltage Logic



Input  $t_R = t_F = 2.0$  ns, 10% to 90%  
 Input  $t_R = t_F = 2.5$  ns, 10% to 90%, @  $V_I = 3.0V$  to  $3.6V$  only

Figure 4. 3-STATE Output High Enable and Disable Times for Low Voltage Logic

Symbol	$V_{CC}$				
	$3.3V \pm 0.3V$	$2.5V \pm 0.2V$	$1.8V \pm 0.15V$	$1.5V \pm 0.1V$	$1.2V \pm 0.1V$
$V_{mi}$	$V_{CC1}/2$	$V_{CC1}/2$	$V_{CC1}/2$	$V_{CC1}/2$	$V_{CC1}/2$
$V_{mo}$	$V_{CCO}/2$	$V_{CCO}/2$	$V_{CCO}/2$	$V_{CCO}/2$	$V_{CCO}/2$
$V_X$	$V_{OH} - 0.3V$	$V_{OH} - 0.15V$	$V_{OH} - 0.15V$	$V_{OH} - 0.1V$	$V_{OH} - 0.1V$
$V_Y$	$V_{OL} + 0.3V$	$V_{OL} + 0.15V$	$V_{OL} + 0.15V$	$V_{OL} + 0.1V$	$V_{OL} + 0.1V$

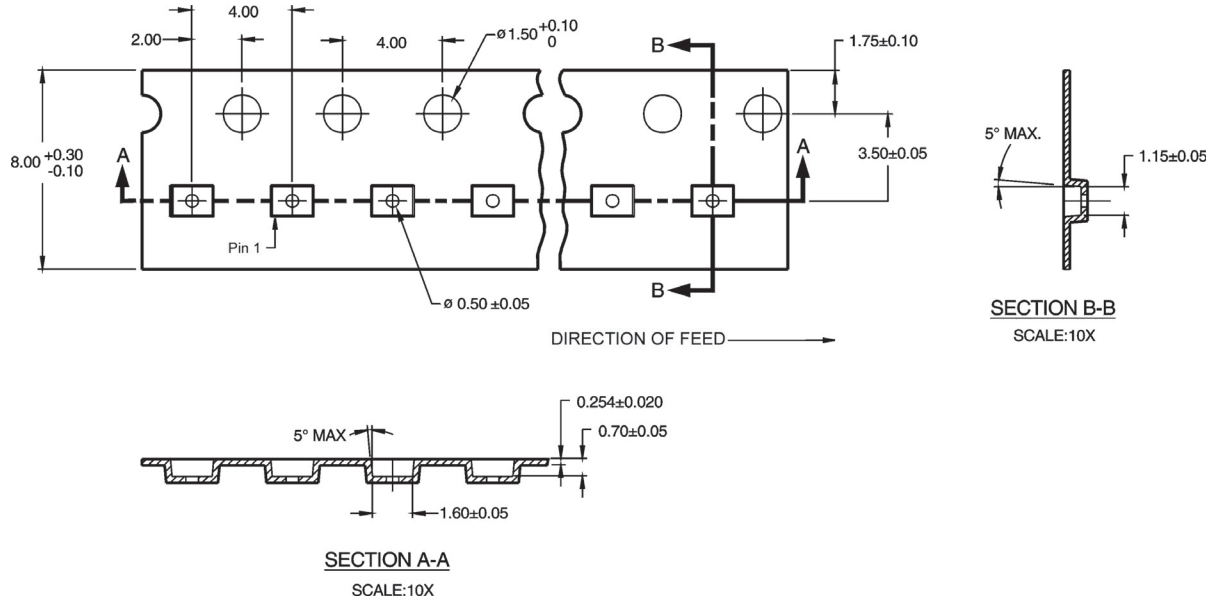
For  $V_{mi}$ :  $V_{CC1} = V_{CCA}$  for Control Pin T/R or  $V_{CCA}/2$

## Tape and Reel Specification

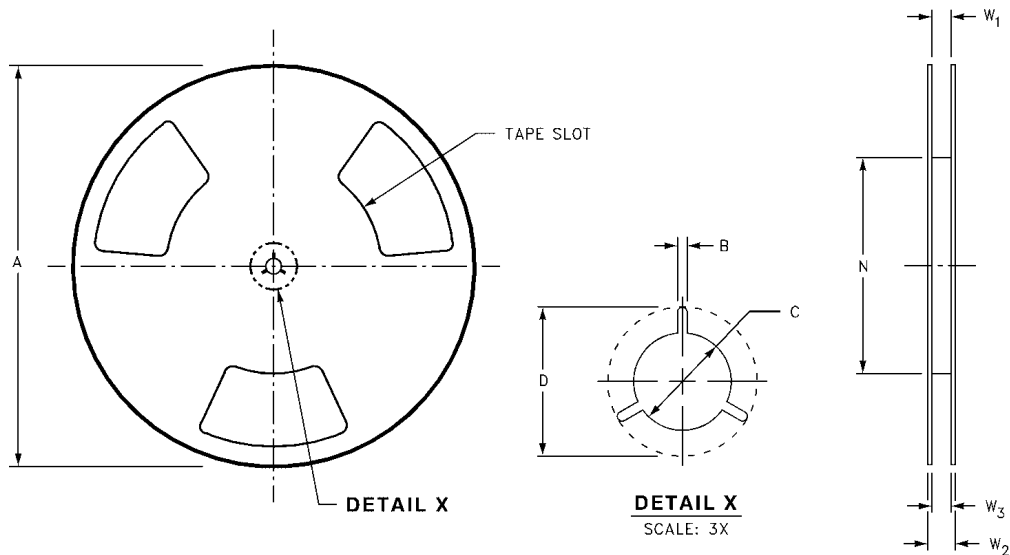
### Tape Format for MicroPak

Package Designator	Tape Section	Number Cavities	Cavity Status	Cover Tape Status
L6X	Leader (Start End)	125 (typ)	Empty	Sealed
	Carrier	5000	Filled	Sealed
	Trailer (Hub End)	75 (typ)	Empty	Sealed

### Tape Dimensions millimeters

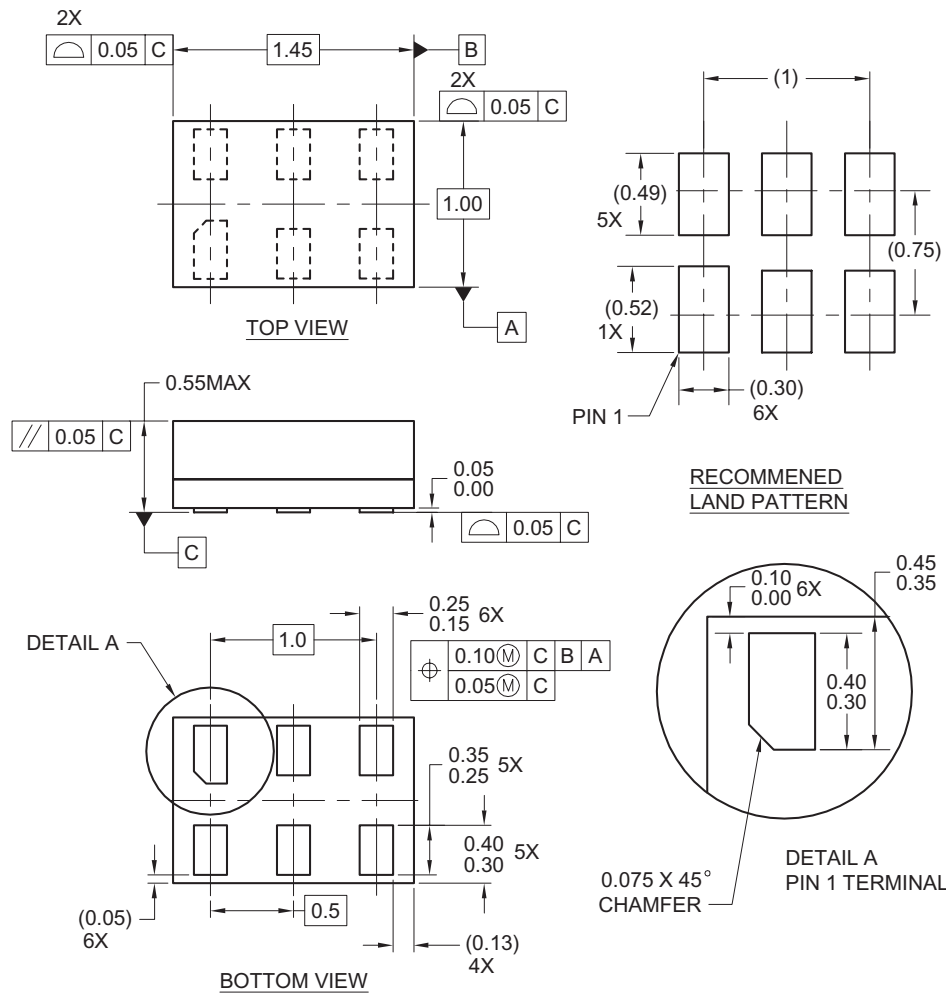


### Reel Dimensions inches (millimeters)



Tape Size	A	B	C	D	N	W1	W2	W3
8mm	7.0 (177.8)	0.059 (1.50)	0.512 (13.00)	0.795 (20.20)	2.165 (55.00)	0.331 +0.059/-0.000 (8.40 +1.50/-0.00)	0.567 (14.40)	W1 +0.078/-0.039 (W1 +2.00/-1.00)

**Physical Dimensions** millimeters unless otherwise noted



**Notes:**

1. Conforms to JEDEC standard M0-252 variation UAAD.
2. Dimensions are in millimeters.
3. Drawing conforms to ASME Y14.5M-1994.


MAC06AREVC

**6-Lead MicroPak, 1.0mm Wide  
Package Number MAC06A**



## TRADEMARKS

The following are registered and unregistered trademarks Fairchild Semiconductor owns or is authorized to use and is not intended to be an exhaustive list of all such trademarks.

ACEx <sup>®</sup>	<i>i-Lo</i> <sup>™</sup>	Power-SPM <sup>™</sup>	TinyBoost <sup>™</sup>
Across the board. Around the world. <sup>™</sup>	ImpliedDisconnect <sup>™</sup>	PowerTrench <sup>®</sup>	TinyBuck <sup>™</sup>
ActiveArray <sup>™</sup>	IntelliMAX <sup>™</sup>	Programmable Active Droop <sup>™</sup>	TinyLogic <sup>®</sup>
Bottomless <sup>™</sup>	ISOPLANAR <sup>™</sup>	QFET <sup>®</sup>	TINYOPTO <sup>™</sup>
Build it Now <sup>™</sup>	MICROCOUPLER <sup>™</sup>	QS <sup>™</sup>	TinyPower <sup>™</sup>
CoolFET <sup>™</sup>	MicroPak <sup>™</sup>	QT Optoelectronics <sup>™</sup>	TinyWire <sup>™</sup>
CROSSVOLT <sup>™</sup>	MICROWIRE <sup>™</sup>	Quiet Series <sup>™</sup>	TruTranslation <sup>™</sup>
CTL <sup>™</sup>	Motion-SPM <sup>™</sup>	RapidConfigure <sup>™</sup>	μSerDes <sup>™</sup>
Current Transfer Logic <sup>™</sup>	MSX <sup>™</sup>	RapidConnect <sup>™</sup>	UHC <sup>®</sup>
DOME <sup>™</sup>	MSXPro <sup>™</sup>	ScalarPump <sup>™</sup>	UniFET <sup>™</sup>
E <sup>2</sup> CMOS <sup>™</sup>	OCX <sup>™</sup>	SMART START <sup>™</sup>	VCX <sup>™</sup>
EcoSPARK <sup>®</sup>	OCXPro <sup>™</sup>	SPM <sup>®</sup>	Wire <sup>™</sup>
EnSigna <sup>™</sup>	OPTOLOGIC <sup>®</sup>	STEALTH <sup>™</sup>	
FACT Quiet Series <sup>™</sup>	OPTOPLANAR <sup>®</sup>	SuperFET <sup>™</sup>	
FACT <sup>®</sup>	PACMAN <sup>™</sup>	SuperSOT <sup>™</sup> 3	
FAST <sup>®</sup>	PDP-SPM <sup>™</sup>	SuperSOT <sup>™</sup> 6	
FASTr <sup>™</sup>	POP <sup>™</sup>	SuperSOT <sup>™</sup> 8	
FPS <sup>™</sup>	Power220 <sup>®</sup>	SyncFET <sup>™</sup>	
FRFET <sup>®</sup>	Power247 <sup>®</sup>	TCM <sup>™</sup>	
GlobalOptoisolator <sup>™</sup>	PowerEdge <sup>™</sup>	The Power Franchise <sup>®</sup>	
GTO <sup>™</sup>	PowerSaver <sup>™</sup>		
HiSeC <sup>™</sup>			

## DISCLAIMER

FAIRCHILD SEMICONDUCTOR RESERVES THE RIGHT TO MAKE CHANGES WITHOUT FURTHER NOTICE TO ANY PRODUCTS HEREIN TO IMPROVE RELIABILITY, FUNCTION OR DESIGN. FAIRCHILD DOES NOT ASSUME ANY LIABILITY ARISING OUT OF THE APPLICATION OR USE OF ANY PRODUCT OR CIRCUIT DESCRIBED HEREIN; NEITHER DOES IT CONVEY ANY LICENSE UNDER ITS PATENT RIGHTS, NOR THE RIGHTS OF OTHERS. THESE SPECIFICATIONS DO NOT EXPAND THE TERMS OF FAIRCHILD'S WORLDWIDE TERMS AND CONDITIONS, SPECIFICALLY THE WARRANTY THEREIN, WHICH COVERS THESE PRODUCTS.

## LIFE SUPPORT POLICY

FAIRCHILD'S PRODUCTS ARE NOT AUTHORIZED FOR USE AS CRITICAL COMPONENTS IN LIFE SUPPORT DEVICES OR SYSTEMS WITHOUT THE EXPRESS WRITTEN APPROVAL OF FAIRCHILD SEMICONDUCTOR CORPORATION.

As used herein:

- Life support devices or systems are devices or systems which, (a) are intended for surgical implant into the body or (b) support or sustain life, and (c) whose failure to perform when properly used in accordance with instructions for use provided in the labeling, can be reasonably expected to result in a significant injury of the user.
- A critical component in any component of a life support, device, or system whose failure to perform can be reasonably expected to cause the failure of the life support device or system, or to affect its safety or effectiveness.

## PRODUCT STATUS DEFINITIONS

### Definition of Terms

Datasheet Identification	Product Status	Definition
Advance Information	Formative or In Design	This datasheet contains the design specifications for product development. Specifications may change in any manner without notice.
Preliminary	First Production	This datasheet contains preliminary data; supplementary data will be published at a later date. Fairchild Semiconductor reserves the right to make changes at any time without notice to improve design.
No Identification Needed	Full Production	This datasheet contains final specifications. Fairchild Semiconductor reserves the right to make changes at any time without notice to improve design.
Obsolete	Not In Production	This datasheet contains specifications on a product that has been discontinued by Fairchild Semiconductor. The datasheet is printed for reference information only.

Rev. I26

ON Semiconductor and  are trademarks of Semiconductor Components Industries, LLC dba ON Semiconductor or its subsidiaries in the United States and/or other countries. ON Semiconductor owns the rights to a number of patents, trademarks, copyrights, trade secrets, and other intellectual property. A listing of ON Semiconductor's product/patent coverage may be accessed at [www.onsemi.com/site/pdf/Patent-Marking.pdf](http://www.onsemi.com/site/pdf/Patent-Marking.pdf). ON Semiconductor reserves the right to make changes without further notice to any products herein. ON Semiconductor makes no warranty, representation or guarantee regarding the suitability of its products for any particular purpose, nor does ON Semiconductor assume any liability arising out of the application or use of any product or circuit, and specifically disclaims any and all liability, including without limitation special, consequential or incidental damages. Buyer is responsible for its products and applications using ON Semiconductor products, including compliance with all laws, regulations and safety requirements or standards, regardless of any support or applications information provided by ON Semiconductor. "Typical" parameters which may be provided in ON Semiconductor data sheets and/or specifications can and do vary in different applications and actual performance may vary over time. All operating parameters, including "Typicals" must be validated for each customer application by customer's technical experts. ON Semiconductor does not convey any license under its patent rights nor the rights of others. ON Semiconductor products are not designed, intended, or authorized for use as a critical component in life support systems or any FDA Class 3 medical devices or medical devices with a same or similar classification in a foreign jurisdiction or any devices intended for implantation in the human body. Should Buyer purchase or use ON Semiconductor products for any such unintended or unauthorized application, Buyer shall indemnify and hold ON Semiconductor and its officers, employees, subsidiaries, affiliates, and distributors harmless against all claims, costs, damages, and expenses, and reasonable attorney fees arising out of, directly or indirectly, any claim of personal injury or death associated with such unintended or unauthorized use, even if such claim alleges that ON Semiconductor was negligent regarding the design or manufacture of the part. ON Semiconductor is an Equal Opportunity/Affirmative Action Employer. This literature is subject to all applicable copyright laws and is not for resale in any manner.

## PUBLICATION ORDERING INFORMATION

### LITERATURE FULFILLMENT:

Literature Distribution Center for ON Semiconductor  
19521 E. 32nd Pkwy, Aurora, Colorado 80011 USA  
**Phone:** 303-675-2175 or 800-344-3860 Toll Free USA/Canada  
**Fax:** 303-675-2176 or 800-344-3867 Toll Free USA/Canada  
**Email:** [orderlit@onsemi.com](mailto:orderlit@onsemi.com)

**N. American Technical Support:** 800-282-9855 Toll Free  
USA/Canada  
**Europe, Middle East and Africa Technical Support:**  
Phone: 421 33 790 2910  
**Japan Customer Focus Center**  
Phone: 81-3-5817-1050

**ON Semiconductor Website:** [www.onsemi.com](http://www.onsemi.com)  
**Order Literature:** <http://www.onsemi.com/orderlit>  
For additional information, please contact your local  
Sales Representative