



Is Now Part of



**ON Semiconductor®**

To learn more about ON Semiconductor, please visit our website at  
[www.onsemi.com](http://www.onsemi.com)

Please note: As part of the Fairchild Semiconductor integration, some of the Fairchild orderable part numbers will need to change in order to meet ON Semiconductor's system requirements. Since the ON Semiconductor product management systems do not have the ability to manage part nomenclature that utilizes an underscore (\_), the underscore (\_) in the Fairchild part numbers will be changed to a dash (-). This document may contain device numbers with an underscore (\_). Please check the ON Semiconductor website to verify the updated device numbers. The most current and up-to-date ordering information can be found at [www.onsemi.com](http://www.onsemi.com). Please email any questions regarding the system integration to [Fairchild\\_questions@onsemi.com](mailto:Fairchild_questions@onsemi.com).

ON Semiconductor and the ON Semiconductor logo are trademarks of Semiconductor Components Industries, LLC dba ON Semiconductor or its subsidiaries in the United States and/or other countries. ON Semiconductor owns the rights to a number of patents, trademarks, copyrights, trade secrets, and other intellectual property. A listing of ON Semiconductor's product/patent coverage may be accessed at [www.onsemi.com/site/pdf/Patent-Marking.pdf](http://www.onsemi.com/site/pdf/Patent-Marking.pdf). ON Semiconductor reserves the right to make changes without further notice to any products herein. ON Semiconductor makes no warranty, representation or guarantee regarding the suitability of its products for any particular purpose, nor does ON Semiconductor assume any liability arising out of the application or use of any product or circuit, and specifically disclaims any and all liability, including without limitation special, consequential or incidental damages. Buyer is responsible for its products and applications using ON Semiconductor products, including compliance with all laws, regulations and safety requirements or standards, regardless of any support or applications information provided by ON Semiconductor. "Typical" parameters which may be provided in ON Semiconductor data sheets and/or specifications can and do vary in different applications and actual performance may vary over time. All operating parameters, including "Typicals" must be validated for each customer application by customer's technical experts. ON Semiconductor does not convey any license under its patent rights nor the rights of others. ON Semiconductor products are not designed, intended, or authorized for use as a critical component in life support systems or any FDA Class 3 medical devices or medical devices with a same or similar classification in a foreign jurisdiction or any devices intended for implantation in the human body. Should Buyer purchase or use ON Semiconductor products for any such unintended or unauthorized application, Buyer shall indemnify and hold ON Semiconductor and its officers, employees, subsidiaries, affiliates, and distributors harmless against all claims, costs, damages, and expenses, and reasonable attorney fees arising out of, directly or indirectly, any claim of personal injury or death associated with such unintended or unauthorized use, even if such claim alleges that ON Semiconductor was negligent regarding the design or manufacture of the part. ON Semiconductor is an Equal Opportunity/Affirmative Action Employer. This literature is subject to all applicable copyright laws and is not for resale in any manner.

# 74AUP1T97 TinyLogic® Low Power Configurable Gate with Voltage-Level Translator

## Features

- Single Supply Voltage Translator
  - 1.8V to 3.3V Input at  $V_{CC}=3.3V$
  - 1.8V to 2.5V Input at  $V_{CC}=2.5V$
- 2.3V to 3.6V  $V_{CC}$  Supply Voltage Operation
- 3.6V Over-Voltage Tolerant I/O's at  $V_{CC}$  from 2.3V to 3.6V
- Power-Off High-Impedance Inputs and Outputs
- Low Static Power Consumption
  - $I_{CC}=0.9\mu A$  Maximum
- Low Dynamic Power Consumption
  - $C_{PD}=2.7pF$  Typical at 3.3V
- Ultra-Small MicroPak™ Packages

## Description

The 74AUP1T97 is a universal configurable 2-input logic gate that provides single supply voltage level translation. This device is designed for applications with inputs switching levels that accept 1.8V low voltage CMOS signals while operating from either a single 2.5V or 3.3V supply voltage. The 74AUP1T97 is an ideal low power solution for mixed voltage signal applications especially for battery-powered portable applications. This product guarantees very low static and dynamic power consumption across entire voltage range. All inputs are implemented with hysteresis to allow for slower transition input signals and better switching noise immunity.

The 74AUP1T97 provides for multiple functions as determined by various configurations of the three inputs. The potential logic functions provided are MUX, AND, NAND, OR, and NOR, inverter and buffer. Refer to Figures 3 to 9.

## Ordering Information

Part Number	Top Mark	Package	Packing Method
74AUP1T97L6X	AH	6-Lead MicroPak™, 1.0mm Wide	5000 Units on Tape & Reel
74AUP1T97FHX	AH	6-Lead, MicroPak2™, 1x1mm Body, .35mm Pitch	5000 Units on Tape & Reel

### Logic Diagram

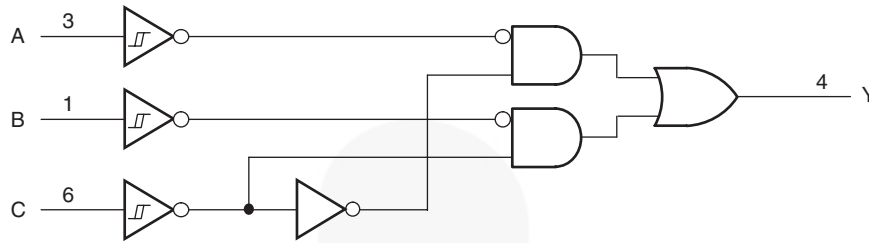


Figure 1. Logic Diagram (Positive Logic)

### Pin Configurations

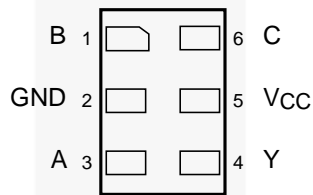


Figure 2. MicroPak™ (Top Through View)

### Pin Definitions

Pin #	Name	Description
1	B	Data Input
2	GND	Ground
3	A	Data Input
4	Y	Output
5	V <sub>CC</sub>	Supply Voltage
6	C	Data Input

**Function Table**

Inputs			74AUP1T97
C	B	A	Y=Output
L	L	L	L
L	L	H	L
L	H	L	H
L	H	H	H
H	L	L	L
H	L	H	H
H	H	L	L
H	H	H	H

H = HIGH Logic Level

L = LOW Logic Level

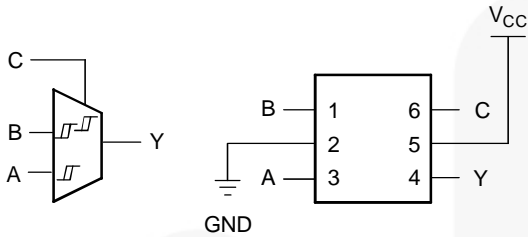
**Function Selection Table**

Logic Function	Connection Configuration
2-to-1 MUX	Figure 3
2-Input AND Gate	Figure 4
2-Input OR Gate with One Inverted Input	Figure 5
2-Input NAND Gate with One Inverted Input	Figure 5
2-Input AND Gate with One Inverted Input	Figure 6
2-Input NOR Gate with One Inverted Input	Figure 6
2-Input OR Gate	Figure 7
Inverter	Figure 8
Buffer	Figure 9

## 74AUP1T97 Logic Configurations

Figure 3 through Figure 9 show the logical functions that can be implemented using the 74AUP1T97. The diagrams show the DeMorgan's equivalent logic duals for a given two-input function. The logical

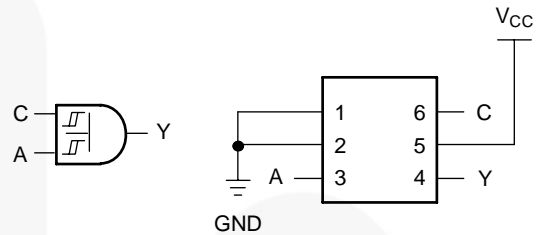
implementation is next to the board-level physical implementation of how the pins of the function should be connected.



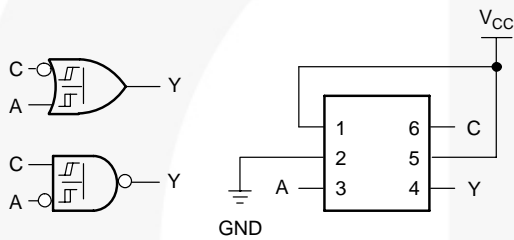
**Note:**

1. When C is L, Y=B.
2. When C is H, Y=A.

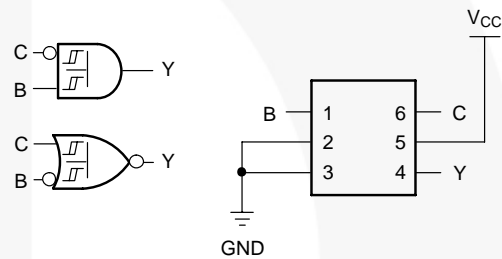
**Figure 3. 2-to-1 MUX**



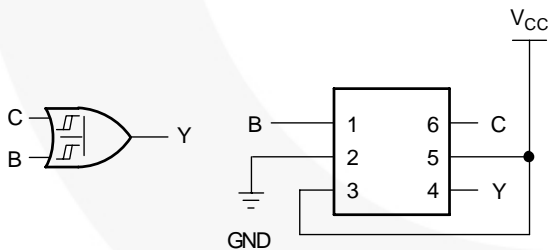
**Figure 4. 2-Input AND Gate**



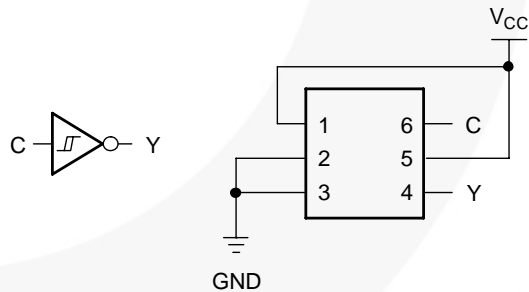
**Figure 5. Input OR Gate with One Inverted Input  
2-Input NAND Gate with One Inverted Input**



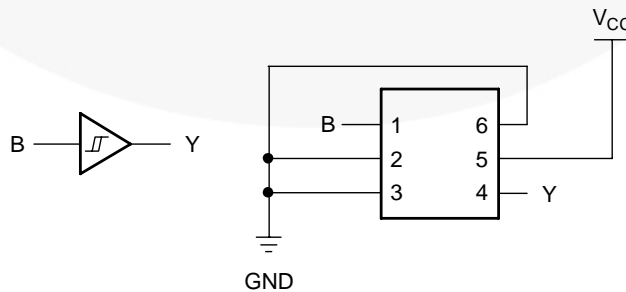
**Figure 6. 2-Input AND Gate with One Inverted Input  
2-Input NOR Gate with One Inverted Input**



**Figure 7. 2-Input OR Gate**



**Figure 8. Inverter**



**Figure 9. Buffer**

## Absolute Maximum Ratings

Stresses exceeding the absolute maximum ratings may damage the device. The device may not function or be operable above the recommended operating conditions and stressing the parts to these levels is not recommended. In addition, extended exposure to stresses above the recommended operating conditions may affect device reliability. The absolute maximum ratings are stress ratings only.

Symbol	Parameter	Min.	Max.	Unit
$V_{CC}$	Supply Voltage	-0.5	4.6	V
$V_{IN}$	DC Input Voltage	-0.5	4.6	V
$V_{OUT}$	DC Output Voltage	HIGH or LOW State <sup>(3)</sup>	$V_{CC} + 0.5$	V
		$V_{CC}=0V$	4.6	
$I_{IK}$	DC Input Diode Current	$V_{IN} < 0V$	-50	mA
$I_{OK}$	DC Output Diode Current	$V_{OUT} < 0V$	-50	mA
		$V_{OUT} > V_{CC}$	+50	
$I_{OH} / I_{OL}$	DC Output Source / Sink Current		±50	mA
$I_o$	Continuous Output Current		±20	mA
$I_{CC}$ or $I_{GND}$	DC $V_{CC}$ or Ground Current per Supply Pin		±50	mA
$T_{STG}$	Storage Temperature Range	-65	+150	°C
$T_J$	Junction Temperature Under Bias		+150	°C
$T_L$	Junction Lead Temperature, Soldering 10s		+260	°C
$P_D$	Power Dissipation at +85°C	MicroPak-6	130	mW
		MicroPak2-6	120	
ESD	Human Body Model, JEDEC:JESD22-A114		5000+	V
	Charged Device Model, JEDEC:JESD22-C101		2000	

**Note:**

3.  $I_o$  absolute maximum rating must be observed.

## Recommended Operating Conditions<sup>(4)</sup>

The Recommended Operating Conditions table defines the conditions for actual device operation. Recommended operating conditions are specified to ensure optimal performance to the datasheet specifications. Fairchild does not recommend exceeding them or designing to Absolute Maximum Ratings.

Symbol	Parameter	Conditions	Min.	Max.	Unit
$V_{CC}$	Supply Voltage		2.3	3.6	V
$V_{IN}$	Input Voltage		0	3.6	V
$V_{OUT}$	Output Voltage	$V_{CC}=0V$	0	3.6	V
		HIGH or LOW State	0	$V_{CC}$	
$I_{OH}/I_{OL}$	Output Current	$V_{CC}=3.0V$ to $3.6V$		±4.0	mA
		$V_{CC}=2.3V$ to $2.7V$		±3.1	
$T_A$	Operating Temperature, Free Air		-40	+85	°C
$\theta_{JA}$	Thermal Resistance	MicroPak-6		500	°C/W
		MicroPak2-6		560	

**Note:**

4. Unused inputs must be held HIGH or LOW. They may not float.

## DC Electrical Characteristics

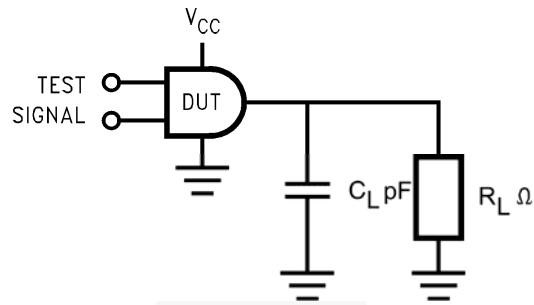
Symbol	Parameter	V <sub>CC</sub>	Conditions	T <sub>A</sub> =+25°C		T <sub>A</sub> =-40 to +85°C		Units
				Min.	Max.	Min.	Max.	
V <sub>P</sub>	Positive Threshold Voltage	2.3V to 2.7V		0.60	1.10	0.60	1.10	V
		3.0V to 3.6V		0.75	1.16	0.75	1.19	
V <sub>N</sub>	Negative Threshold Voltage	2.3V to 2.7V		0.35	0.60	0.35	0.60	V
		3.0V to 3.6V		0.50	0.85	0.50	0.85	
V <sub>H</sub>	Hysteresis Voltage	2.3V to 2.7V		0.23	0.60	0.10	0.60	V
		3.0V to 3.6V		0.25	0.56	0.15	0.56	
V <sub>OH</sub>	HIGH Level Output Voltage	2.3V ≤ V <sub>CC</sub> ≤ 3.6V	I <sub>OH</sub> =-20μA	V <sub>CC</sub> -0.1		V <sub>CC</sub> -0.1		V
		2.3V	I <sub>OH</sub> =-2.3mA	2.05		1.97		
			I <sub>OH</sub> =-3.1mA	1.90		1.85		
		3.0V	I <sub>OH</sub> =-2.7mA	2.72		2.67		
I <sub>OH</sub> =-4mA	2.60			2.55				
V <sub>OL</sub>	LOW Level Output Voltage	2.3V ≤ V <sub>CC</sub> ≤ 3.6V	I <sub>OL</sub> =20μA		0.10		0.10	V
		2.3V	I <sub>OL</sub> =2.3mA		0.31		0.33	
			I <sub>OL</sub> =3.1mA		0.44		0.45	
		3.0V	I <sub>OL</sub> =2.7mA		0.31		0.33	
I <sub>OL</sub> =4.0mA			0.44		0.45			
I <sub>IN</sub>	Input Leakage Current	0V to 3.6V	0 ≤ V <sub>IN</sub> ≤ 3.6		±0.10		±0.50	μA
I <sub>OFF</sub>	Power Off Leakage Current	0V	0 ≤ (V <sub>IN</sub> , V <sub>O</sub> ) ≤ 3.6		0.10		0.50	μA
ΔI <sub>OFF</sub>	Additional Power Off Leakage Current	0V to 0.2V	V <sub>IN</sub> or V <sub>O</sub> =0V to 3.6V		0.20		0.60	μA
I <sub>CC</sub>	Quiescent Supply Current	2.3V to 3.6V	V <sub>IN</sub> =V <sub>CC</sub> or GND		0.50		0.90	μA
			V <sub>CC</sub> ≤ V <sub>IN</sub> ≤ 3.6V				±0.90	
ΔI <sub>CC</sub>	Increase in I <sub>CC</sub> per Input	2.3V to 2.7V	One Input at 0.3V or 1.1V, other Inputs at 0 or V <sub>CC</sub>				4	μA
		3.0V to 3.6V	One Input at 0.45V or 1.2V, other Inputs at 0 or V <sub>CC</sub>				12	

### AC Electrical Characteristics

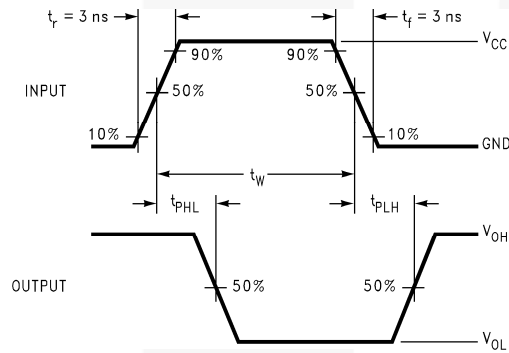
Symbol	Parameter	V <sub>CC</sub>	Conditions	T <sub>A</sub> =+25°C			T <sub>A</sub> =-40 to +85°C		Units	Figure			
				Min.	Typ.	Max.	Typ.	Max.					
t <sub>PHL</sub> , t <sub>PLH</sub>	Propagation Delay	2.30V ≤ V <sub>CC</sub> ≤ 2.70V, V <sub>IN</sub> =1.65V to 1.95V	C <sub>L</sub> =5pF, R <sub>L</sub> =1MΩ	1.1	3.7	5.5	1.1	6.8	ns	Figure 10 Figure 11			
		2.30V ≤ V <sub>CC</sub> ≤ 2.70V, V <sub>IN</sub> =2.30V to 2.70V		1.1	3.8	6.5	1.1	7.0					
		2.30V ≤ V <sub>CC</sub> ≤ 2.70V, V <sub>IN</sub> =3.0V to 3.60V		1.1	3.9	6.0	1.1	6.5					
		3.00V ≤ V <sub>CC</sub> ≤ 3.60V, V <sub>IN</sub> =1.65V to 1.95V		1.0	3.3	4.9	1.0	8.0					
		3.00V ≤ V <sub>CC</sub> ≤ 3.60V, V <sub>IN</sub> =2.30V to 2.70V		1.0	3.2	4.6	1.0	5.8					
		3.00V ≤ V <sub>CC</sub> ≤ 3.60V, V <sub>IN</sub> =3.00V to 3.60V		1.0	3.1	4.7	1.0	5.5					
		2.30V ≤ V <sub>CC</sub> ≤ 2.70V, V <sub>IN</sub> =1.65V to 1.95V	C <sub>L</sub> =10pF, R <sub>L</sub> =1MΩ	1.3	4.1	6.5	1.0	7.9					
		2.30V ≤ V <sub>CC</sub> ≤ 2.70V, V <sub>IN</sub> =2.30V to 2.70V		1.3	4.0	6.2	1.0	7.1					
		2.30V ≤ V <sub>CC</sub> ≤ 2.70V, V <sub>IN</sub> =3.0V to 3.60V		1.3	3.7	5.7	1.0	6.5					
		3.00V ≤ V <sub>CC</sub> ≤ 3.60V, V <sub>IN</sub> =1.65V to 1.95V		1.3	3.5	5.6	1.0	8.5					
		3.00V ≤ V <sub>CC</sub> ≤ 3.60V, V <sub>IN</sub> =2.30V to 2.70V		1.3	3.4	5.3	1.0	6.1					
		3.00V ≤ V <sub>CC</sub> ≤ 3.60V, V <sub>IN</sub> =3.00V to 3.60V		1.3	3.3	5.2	1.0	5.9					
		2.30V ≤ V <sub>CC</sub> ≤ 2.70V, V <sub>IN</sub> =1.65V to 1.95V	C <sub>L</sub> =15pF, R <sub>L</sub> =1MΩ	1.5	4.6	6.9	1.0	8.7					
		2.30V ≤ V <sub>CC</sub> ≤ 2.70V, V <sub>IN</sub> =2.30V to 2.70V		1.5	4.4	6.8	1.0	7.9					
		2.30V ≤ V <sub>CC</sub> ≤ 2.70V, V <sub>IN</sub> =3.0V to 3.60V		1.5	4.2	6.3	1.0	7.4					
		3.00V ≤ V <sub>CC</sub> ≤ 3.60V, V <sub>IN</sub> =1.65V to 1.95V		1.3	3.9	6.2	1.0	9.1					
		3.00V ≤ V <sub>CC</sub> ≤ 3.60V, V <sub>IN</sub> =2.30V to 2.70V		1.3	3.8	5.6	1.0	6.8					
		3.00V ≤ V <sub>CC</sub> ≤ 3.60V, V <sub>IN</sub> =3.00V to 3.60V		1.3	3.8	5.6	1.0	6.2					
		2.30V ≤ V <sub>CC</sub> ≤ 2.70V, V <sub>IN</sub> =1.65V to 1.95V	C <sub>L</sub> =30pF, R <sub>L</sub> =1MΩ	1.3	4.2	7.9	1.3	8.5					
		2.30V ≤ V <sub>CC</sub> ≤ 2.70V, V <sub>IN</sub> =2.30V to 2.70V		1.3	3.9	7.9	1.3	8.5					
		2.30V ≤ V <sub>CC</sub> ≤ 2.70V, V <sub>IN</sub> =3.0V to 3.60V		1.0	3.7	7.3	1.0	8.9					
		3.00V ≤ V <sub>CC</sub> ≤ 3.60V, V <sub>IN</sub> =1.65V to 1.95V		1.3	3.5	6.1	1.3	7.9					
		3.00V ≤ V <sub>CC</sub> ≤ 3.60V, V <sub>IN</sub> =2.30V to 2.70V		1.1	3.0	5.9	1.1	6.8					
		3.00V ≤ V <sub>CC</sub> ≤ 3.60V, V <sub>IN</sub> =3.00V to 3.60V		1.0	2.7	5.7	1.0	6.5					
		C <sub>IN</sub>	Input Capacitance	0		2.1						pF	
		C <sub>OUT</sub>	Output Capacitance	0		3.0						pF	
		C <sub>PD</sub>	Power Dissipation Capacitance	2.30V ≤ V <sub>CC</sub> ≤ 2.70V		2.0						pF	
				3.00V ≤ V <sub>CC</sub> ≤ 3.60V		2.7							



## AC Loadings and Waveforms



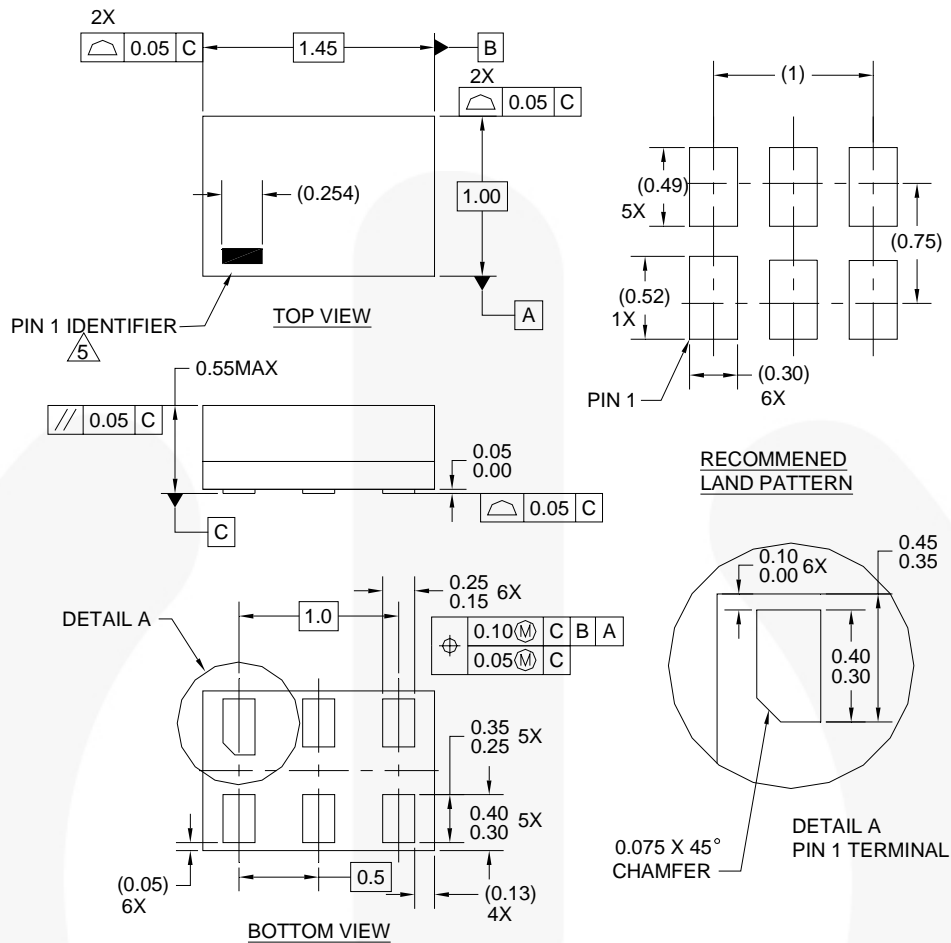
**Figure 10. AC Test Circuit**



**Figure 11. AC Waveforms**

Symbol	V <sub>CC</sub>	
	3.3V ± 0.3V	2.5V ± 0.2V
V <sub>mi</sub>	V <sub>IN</sub> /2	V <sub>IN</sub> /2
V <sub>mo</sub>	V <sub>CC</sub> /2	V <sub>CC</sub> /2

## Physical Dimensions



**Notes:**

1. CONFORMS TO JEDEC STANDARD M0-252 VARIATION UAAD
2. DIMENSIONS ARE IN MILLIMETERS
3. DRAWING CONFORMS TO ASME Y14.5M-1994
4. FILENAME AND REVISION: MAC06AREV4
- △5. PIN ONE IDENTIFIER IS 2X LENGTH OF ANY OTHER LINE IN THE MARK CODE LAYOUT.

**Figure 12. 6-Lead, MicroPak™, 1.0mm Wide**

Package drawings are provided as a service to customers considering Fairchild components. Drawings may change in any manner without notice. Please note the revision and/or date on the drawing and contact a Fairchild Semiconductor representative to verify or obtain the most recent revision. Package specifications do not expand the terms of Fairchild's worldwide terms and conditions, specifically the warranty therein, which covers Fairchild products.

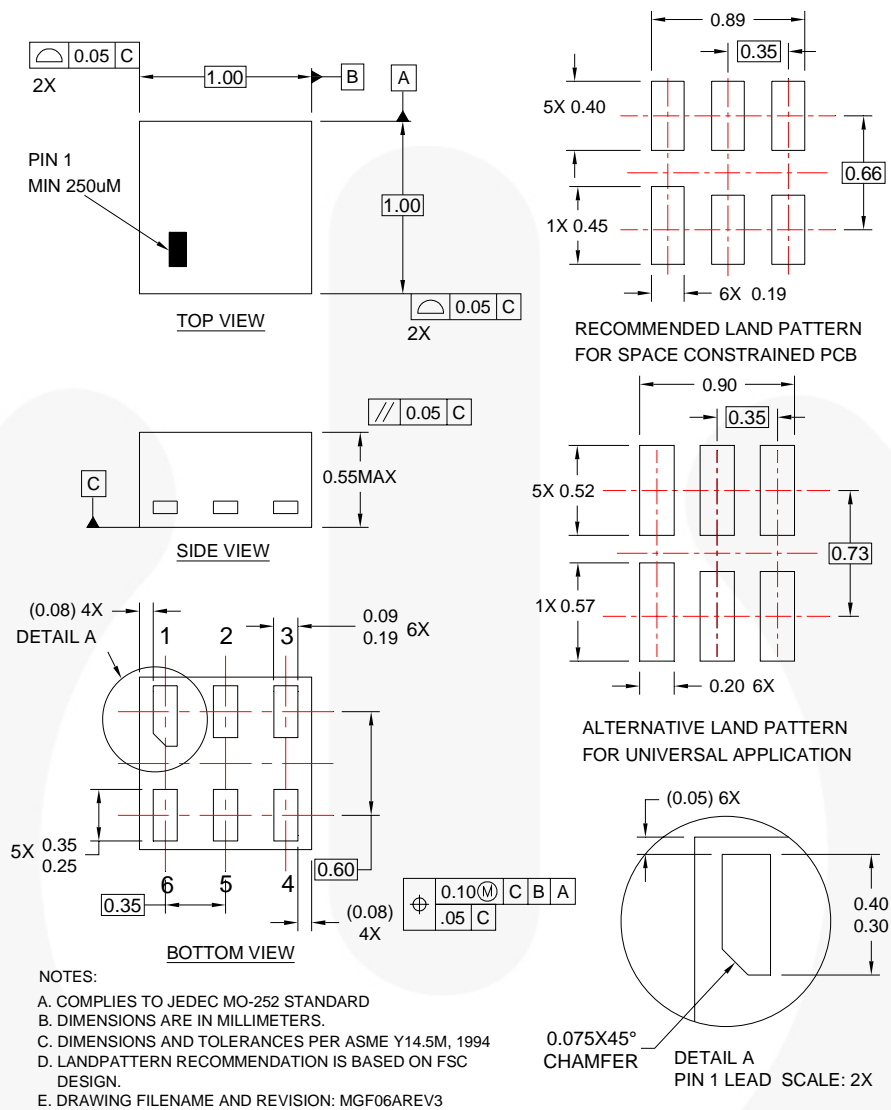
Always visit Fairchild Semiconductor's online packaging area for the most recent package drawings:  
<http://www.fairchildsemi.com/packaging/>.

## Tape and Reel Specifications

Please visit Fairchild Semiconductor's online packaging area for the most recent tape and reel specifications:  
[http://www.fairchildsemi.com/products/logic/pdf/micropak\\_tr.pdf](http://www.fairchildsemi.com/products/logic/pdf/micropak_tr.pdf).

Package Designator	Tape Section	Cavity Number	Cavity Status	Cover Type Status
L6X	Leader (Start End)	125 (Typical)	Empty	Sealed
	Carrier	5000	Filled	Sealed
	Trailer (Hub End)	75 (Typical)	Empty	Sealed

## Physical Dimensions



**Figure 13. 6-Lead, MicroPak2™, 1x1mm Body, .35mm Pitch**

Package drawings are provided as a service to customers considering Fairchild components. Drawings may change in any manner without notice. Please note the revision and/or date on the drawing and contact a Fairchild Semiconductor representative to verify or obtain the most recent revision. Package specifications do not expand the terms of Fairchild's worldwide terms and conditions, specifically the warranty therein, which covers Fairchild products.

Always visit Fairchild Semiconductor's online packaging area for the most recent package drawings:  
<http://www.fairchildsemi.com/packaging/>.

## Tape and Reel Specifications

Please visit Fairchild Semiconductor's online packaging area for the most recent tape and reel specifications:  
[http://www.fairchildsemi.com/packaging/MicroPAK2\\_6L\\_tr.pdf](http://www.fairchildsemi.com/packaging/MicroPAK2_6L_tr.pdf).

Package Designator	Tape Section	Cavity Number	Cavity Status	Cover Type Status
FHX	Leader (Start End)	125 (Typical)	Empty	Sealed
	Carrier	5000	Filled	Sealed
	Trailer (Hub End)	75 (Typical)	Empty	Sealed



**TRADEMARKS**

The following includes registered and unregistered trademarks and service marks, owned by Fairchild Semiconductor and/or its global subsidiaries, and is not intended to be an exhaustive list of all such trademarks.

- |                          |                        |                                      |                      |
|--------------------------|------------------------|--------------------------------------|----------------------|
| AccuPower™               | F-PFET™                | Power-SPM™                           | SYSTEM GENERAL       |
| Auto-SPM™                | FRFET®                 | PowerTrench®                         | The Power Franchise® |
| Build it Now™            | Global Power Resource™ | PowerXS™                             | the power franchise  |
| CorePLUS™                | Green FPST™            | Programmable Active Droop™           | TinyBoost™           |
| CorePOWER™               | Green FPST™ e-Series™  | QFET®                                | TinyBuck™            |
| CROSSVOLT™               | Gmax™                  | QS™                                  | TinyCalc™            |
| CTL™                     | GTO™                   | Quiet Series™                        | TinyLogic®           |
| Current Transfer Logic™  | IntelliMAX™            | RapidConfigure™                      | TINYOPTO™            |
| DEUXPEED®                | ISOPLANAR™             | TM                                   | TinyPower™           |
| Dual Cool™               | MegaBuck™              | Saving our world, 1mW/WkW at a time™ | TinyPVM™             |
| EcoSPARK®                | MICROCOUPLER™          | SignalWise™                          | TinyWire™            |
| EfficientMax™            | MicroFET™              | SmartMax™                            | TriFault Detect™     |
| ESBC™                    | MicroPak™              | SMART START™                         | TRUECURRENT™*        |
| F                        | MicroPak2™             | SPM®                                 | µSerDes™             |
| Fairchild®               | MillerDrive™           | STEALTH™                             | SerDes               |
| Fairchild Semiconductor® | MotionMax™             | SuperFET®                            | UHC®                 |
| FACT Quiet Series™       | Motion-SPM™            | SuperSOT™.3                          | Ultra FRFET™         |
| FACT™                    | OptoHit™               | SuperSOT™.6                          | UniFET™              |
| FAST®                    | OPTOLOGIC®             | SuperSOT™.8                          | VCX™                 |
| FastvCore™               | OPTOPLANAR®            | SupreMOS®                            | VisualMax™           |
| FETBench™                | TM                     | SyncFET™                             | XS™                  |
| FlashWriter®             | PDP SPM™               | Sync-Lock™                           |                      |
| FPS™                     |                        |                                      |                      |

\* Trademarks of System General Corporation, used under license by Fairchild Semiconductor.

**DISCLAIMER**

FAIRCHILD SEMICONDUCTOR RESERVES THE RIGHT TO MAKE CHANGES WITHOUT FURTHER NOTICE TO ANY PRODUCTS HEREIN TO IMPROVE RELIABILITY, FUNCTION, OR DESIGN. FAIRCHILD DOES NOT ASSUME ANY LIABILITY ARISING OUT OF THE APPLICATION OR USE OF ANY PRODUCT OR CIRCUIT DESCRIBED HEREIN; NEITHER DOES IT CONVEY ANY LICENSE UNDER ITS PATENT RIGHTS, NOR THE RIGHTS OF OTHERS. THESE SPECIFICATIONS DO NOT EXPAND THE TERMS OF FAIRCHILD'S WORLDWIDE TERMS AND CONDITIONS, SPECIFICALLY THE WARRANTY THEREIN, WHICH COVERS THESE PRODUCTS.

**LIFE SUPPORT POLICY**

FAIRCHILD'S PRODUCTS ARE NOT AUTHORIZED FOR USE AS CRITICAL COMPONENTS IN LIFE SUPPORT DEVICES OR SYSTEMS WITHOUT THE EXPRESS WRITTEN APPROVAL OF FAIRCHILD SEMICONDUCTOR CORPORATION.

As used herein:

1. Life support devices or systems are devices or systems which, (a) are intended for surgical implant into the body or (b) support or sustain life, and (c) whose failure to perform when properly used in accordance with instructions for use provided in the labeling, can be reasonably expected to result in a significant injury of the user.
2. A critical component in any component of a life support, device, or system whose failure to perform can be reasonably expected to cause the failure of the life support device or system, or to affect its safety or effectiveness.

**ANTI-COUNTERFEITING POLICY**

Fairchild Semiconductor Corporation's Anti-Counterfeiting Policy. Fairchild's Anti-Counterfeiting Policy is also stated on our external website, [www.fairchildsemi.com](http://www.fairchildsemi.com), under Sales Support.

Counterfeiting of semiconductor parts is a growing problem in the industry. All manufacturers of semiconductor products are experiencing counterfeiting of their parts. Customers who inadvertently purchase counterfeit parts experience many problems such as loss of brand reputation, substandard performance, failed applications, and increased cost of production and manufacturing delays. Fairchild is taking strong measures to protect ourselves and our customers from the proliferation of counterfeit parts. Fairchild strongly encourages customers to purchase Fairchild parts either directly from Fairchild or from Authorized Fairchild Distributors who are listed by country on our web page cited above. Products customers buy either from Fairchild directly or from Authorized Fairchild Distributors are genuine parts, have full traceability, meet Fairchild's quality standards for handling and storage and provide access to Fairchild's full range of up-to-date technical and product information. Fairchild and our Authorized Distributors will stand behind all warranties and will appropriately address any warranty issues that may arise. Fairchild will not provide any warranty coverage or other assistance for parts bought from Unauthorized Sources. Fairchild is committed to combat this global problem and encourage our customers to do their part in stopping this practice by buying direct or from authorized distributors.

**PRODUCT STATUS DEFINITIONS**

**Definition of Terms**

Datasheet Identification	Product Status	Definition
Advance Information	Formative / In Design	Datasheet contains the design specifications for product development. Specifications may change in any manner without notice.
Preliminary	First Production	Datasheet contains preliminary data; supplementary data will be published at a later date. Fairchild Semiconductor reserves the right to make changes at any time without notice to improve design.
No Identification Needed	Full Production	Datasheet contains final specifications. Fairchild Semiconductor reserves the right to make changes at any time without notice to improve the design.
Obsolete	Not In Production	Datasheet contains specifications on a product that is discontinued by Fairchild Semiconductor. The datasheet is for reference information only.

Rev. I50

ON Semiconductor and  are trademarks of Semiconductor Components Industries, LLC dba ON Semiconductor or its subsidiaries in the United States and/or other countries. ON Semiconductor owns the rights to a number of patents, trademarks, copyrights, trade secrets, and other intellectual property. A listing of ON Semiconductor's product/patent coverage may be accessed at [www.onsemi.com/site/pdf/Patent-Marking.pdf](http://www.onsemi.com/site/pdf/Patent-Marking.pdf). ON Semiconductor reserves the right to make changes without further notice to any products herein. ON Semiconductor makes no warranty, representation or guarantee regarding the suitability of its products for any particular purpose, nor does ON Semiconductor assume any liability arising out of the application or use of any product or circuit, and specifically disclaims any and all liability, including without limitation special, consequential or incidental damages. Buyer is responsible for its products and applications using ON Semiconductor products, including compliance with all laws, regulations and safety requirements or standards, regardless of any support or applications information provided by ON Semiconductor. "Typical" parameters which may be provided in ON Semiconductor data sheets and/or specifications can and do vary in different applications and actual performance may vary over time. All operating parameters, including "Typicals" must be validated for each customer application by customer's technical experts. ON Semiconductor does not convey any license under its patent rights nor the rights of others. ON Semiconductor products are not designed, intended, or authorized for use as a critical component in life support systems or any FDA Class 3 medical devices or medical devices with a same or similar classification in a foreign jurisdiction or any devices intended for implantation in the human body. Should Buyer purchase or use ON Semiconductor products for any such unintended or unauthorized application, Buyer shall indemnify and hold ON Semiconductor and its officers, employees, subsidiaries, affiliates, and distributors harmless against all claims, costs, damages, and expenses, and reasonable attorney fees arising out of, directly or indirectly, any claim of personal injury or death associated with such unintended or unauthorized use, even if such claim alleges that ON Semiconductor was negligent regarding the design or manufacture of the part. ON Semiconductor is an Equal Opportunity/Affirmative Action Employer. This literature is subject to all applicable copyright laws and is not for resale in any manner.

## PUBLICATION ORDERING INFORMATION

### LITERATURE FULFILLMENT:

Literature Distribution Center for ON Semiconductor  
19521 E. 32nd Pkwy, Aurora, Colorado 80011 USA  
**Phone:** 303-675-2175 or 800-344-3860 Toll Free USA/Canada  
**Fax:** 303-675-2176 or 800-344-3867 Toll Free USA/Canada  
**Email:** [orderlit@onsemi.com](mailto:orderlit@onsemi.com)

**N. American Technical Support:** 800-282-9855 Toll Free  
USA/Canada  
**Europe, Middle East and Africa Technical Support:**  
Phone: 421 33 790 2910  
**Japan Customer Focus Center**  
Phone: 81-3-5817-1050

**ON Semiconductor Website:** [www.onsemi.com](http://www.onsemi.com)  
**Order Literature:** <http://www.onsemi.com/orderlit>  
For additional information, please contact your local  
Sales Representative